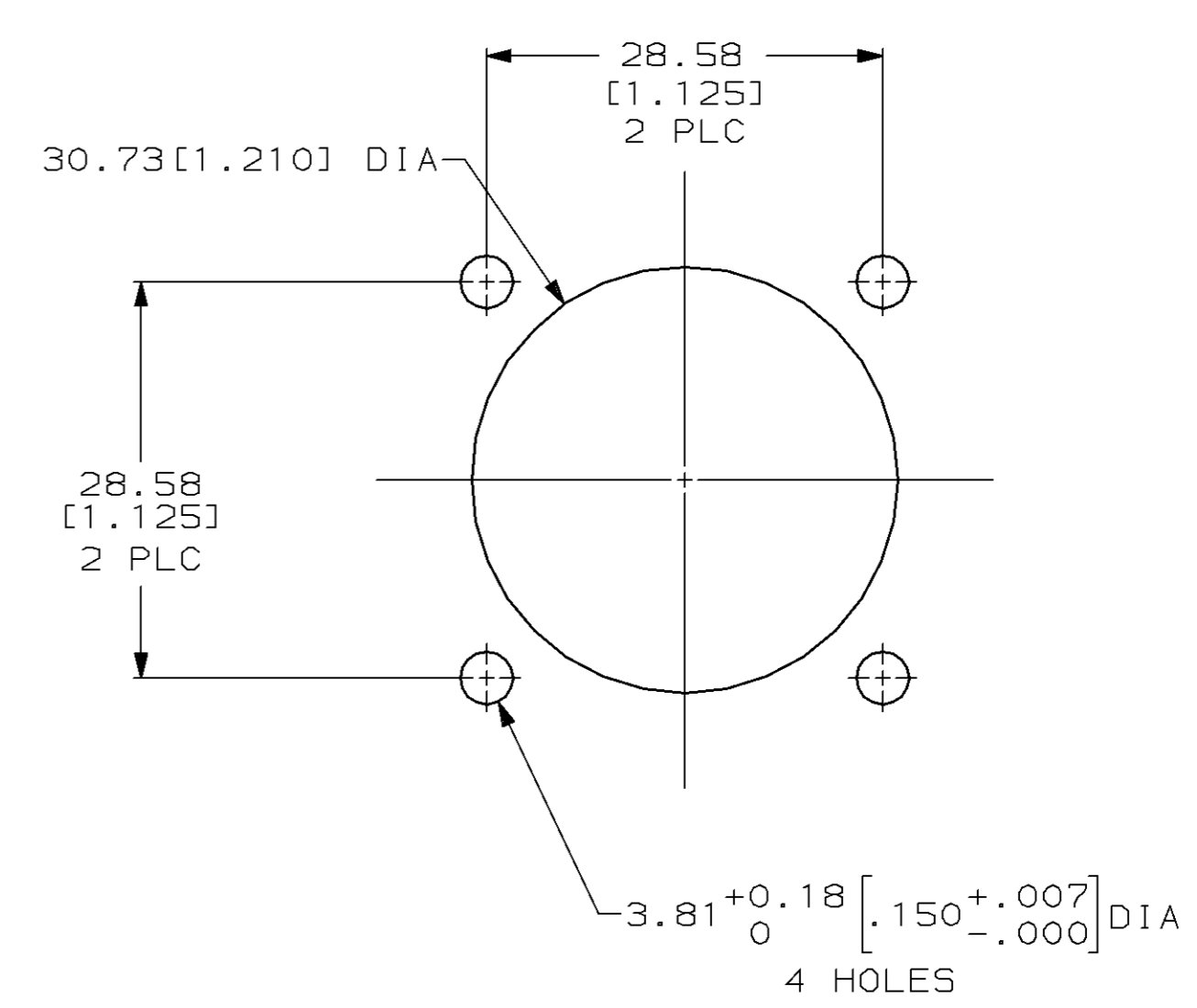
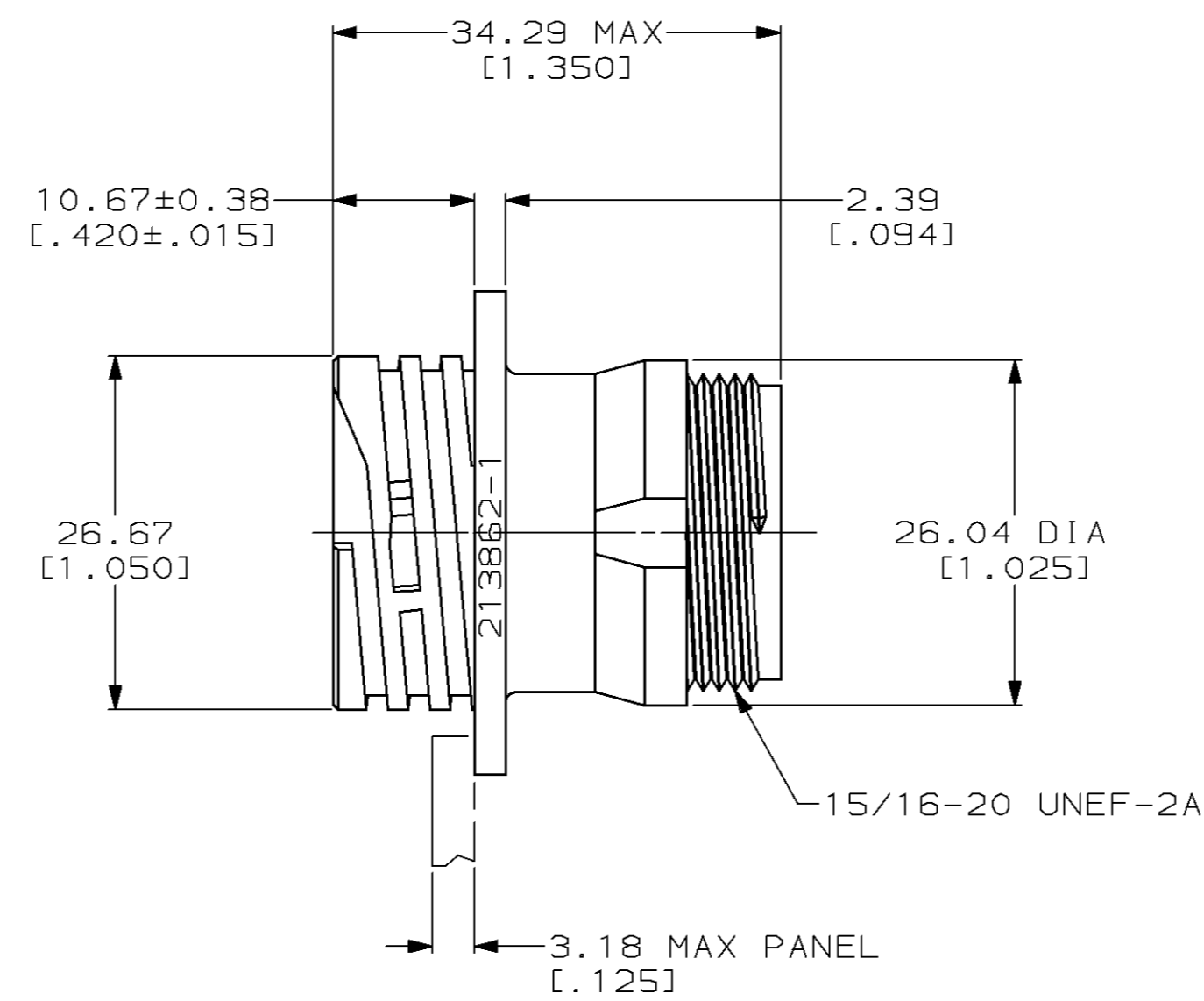
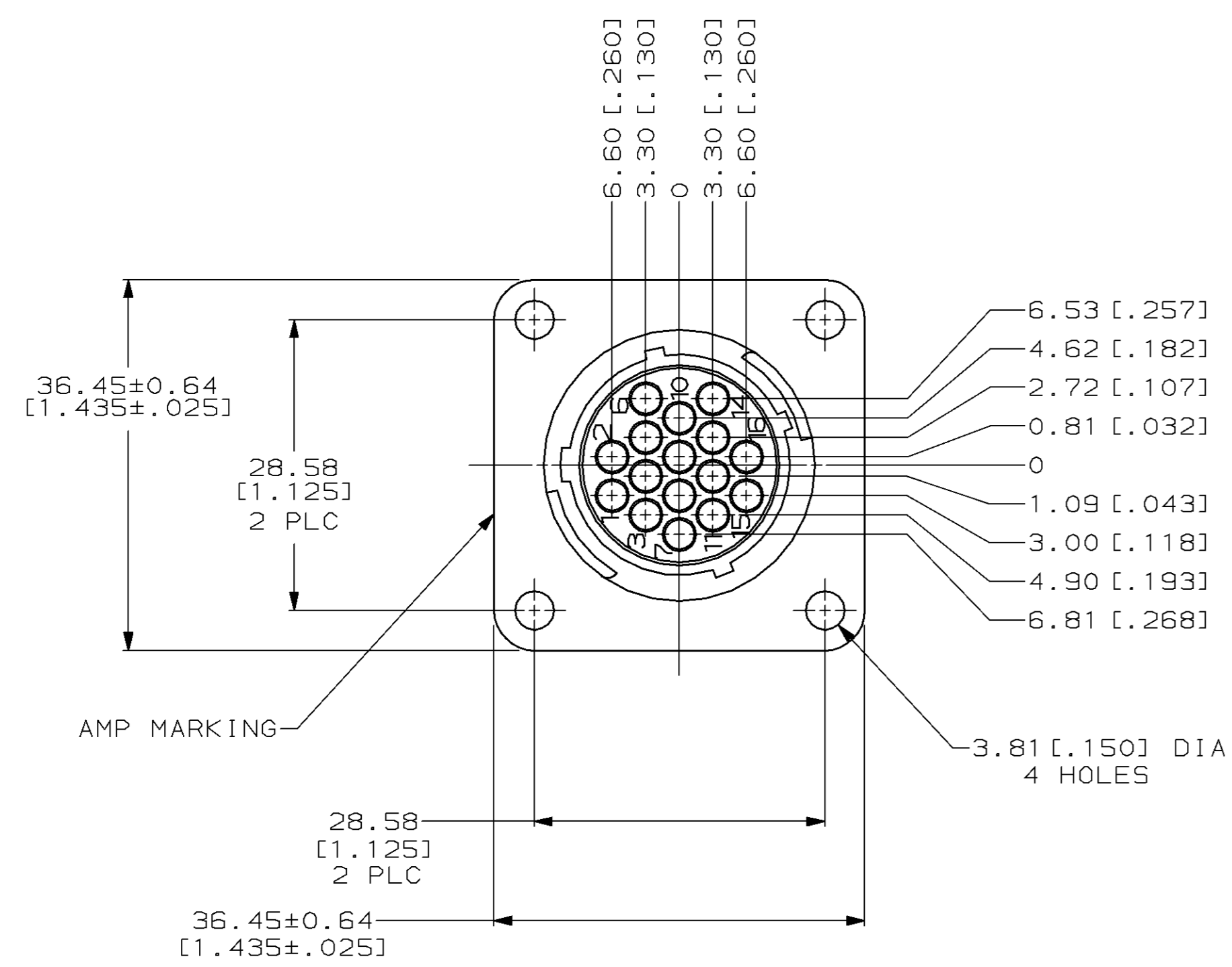


REVISIONS										
MOD	LOC	DIST	P	F	ZONE	LTR	DESCRIPTION	DATE	APPD	
4	BD	35					0	RELEASED PER NPR 5258 WAS 94-5029-022-01	12/21/94	-



RECOMMENDED PANEL CUTOUT

1. CAVITY IDENTIFICATION ON FRONT AND REAR FACE.
2. WILL ACCEPT (16) MULTIMATE PIN CONTACTS.

213862-1
PART NO

DO NOT SCALE PRINT. UNLESS SPECIFIED DIMENSIONS IN mm [INCHES]		DR 12/21/94 K.FOLTZ		AMP Incorporated Harrisburg, PA 17105-3608	
TOLERANCES ON:		CHK 01/05/95 R.STONE			
2 PLC DEC ± 0.25 [.010]		APPD 01/05/95 T.COULSON		NAME	
3 PLC DEC ± -		APPD 01/12/95 A.FRANTUM		RECEPTACLE HOUSING, STANDARD SEX, SIZE 17, CPC	
ANGLES ± -		PRODUCT SPEC 108-10024			
MATERIAL NYLON, BLACK		APPLICATION SPEC		SIZE	CAGE CODE
FINISH		-		D	00779
WEIGHT		-		SCALE	DRAWING NO
		-		2:1	©-213862
					SHEET 1 OF 1

THIS DRAWING IS A CONTROLLED DOCUMENT FOR AMP INCORPORATED. IT IS SUBJECT TO CHANGE AND THE CONTROLLING ENGINEERING ORGANIZATION SHOULD BE CONTACTED FOR THE LATEST REVISION.